



40GAL Decarbonator Specification Sheet

Product Description

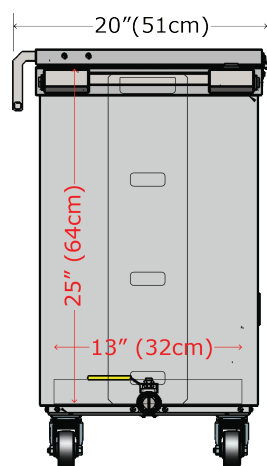
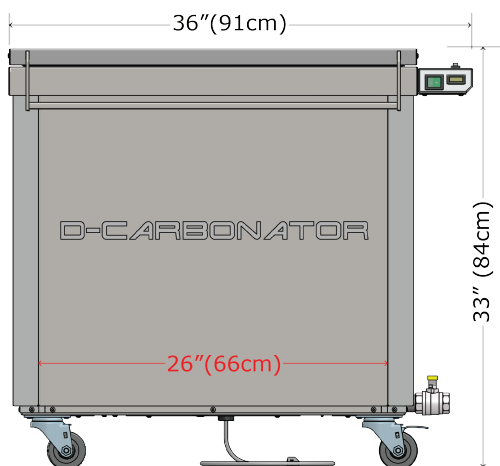
The DECARBONATOR® is a high-performance appliance designed for commercial kitchens and bakeries to efficiently remove carbon buildup and grease from metal and aluminum kitchen equipment. Constructed from stainless steel, it is fully insulated and provides the most cost-effective and efficient method for deep cleaning kitchen equipment and accessories. It is a stand alone unit that requires no plumbing.

Technical Specifications

Specification	Details
Voltage	110V
Amps	8.3A
Frequency	60Hz
Phase	Single
Plug Type	NEMA 5-15
Receptacle	NEMA 5-15 / NEMA 5-20
Breaker	15 Amp
Wattage	1000W
Operating Temp	185°F (85°C)

Capacity & Dimensions

Measurement	Details
Volume	40 Gallons / 150 Liters
Sheet Pan Capacity	26 stacked horizontally
Hood Filter Capacity	7 Standard (20" x 20" x 1½")
External Dimensions	L-36" x W-20" x H-33" (91cm x 51cm x 84cm)
Internal Dimensions	L-26" x W-13" x H-25" (66cm x 32cm x 64cm)
Packaging	L-42" x W-23" x H-39" (106cm x 58cm x 99cm)
Gross Weight	195 lbs (88kg)
Net Weight	164 lbs (74kg)



CarbonZyme®

CarbonZyme 15lbs	One box per month
------------------	-------------------

Accessories Included

Accessory	Description
Lifting Basket	Facilitates loading and unloading
Drain Hose and adaptor	Used for draining tank
Grab Hook	Used to lift items and dislodge debris blocking drain valve

Special Features

Features	Description
Compact	Fits under Countertop or prep table
Split Basket	Divides basket load in half

Key Features

Feature	Description
Friction Hinges	Allows steam to escape, prevents crush injuries
Fill Line (Embossed)	Easy water level identification
Lid with Gasket	Reduces odors, collects condensation, adds workspace
Lid Handle	Full-length for easy lifting, prevents wrist scalding
Velcro Strap Storage	Stores power cord and drain hose securely
Stainless Steel Casters	Two locking, two non-locking for mobility
Control Panel Indicators	Power, heater, monthly timer, reset switch
Troubleshooting Feature	Manual reset thermostat on back panel

Benefits

Benefit	Description
Fast & Efficient Cleaning	Saves time and effort in deep cleaning kitchen equipment
Energy Efficient	Low power consumption with high performance
Durable Stainless Steel Build	Long-lasting and corrosion-resistant
Safety First	Designed to prevent injuries and operational hazards

Certifications & Compliance

Certification	Details
SA44909 - Sanitation NSF/ANSI 169 Certified	Ensures food safety standards. Meets sanitation regulations
E495028 - Commercial Dishwasher Safety Listing	Certified safe for commercial kitchen use
FY160801691C - European Conformity Safety Listing	Certified safe for commercial kitchen use

Contact Information

Company: ChemXworks

Address: 8952 AleSmith Ct, Ste D, San Diego, CA 92126



Phone: (858) 356-5460

Website: www.decarbonator.com