



## 85GAL Decarbonator Specification Sheet

### Product Description

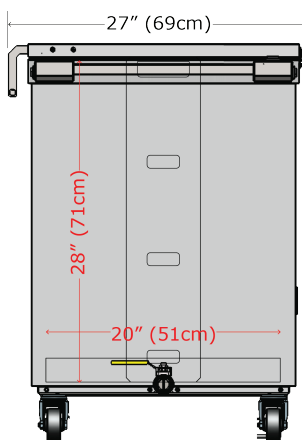
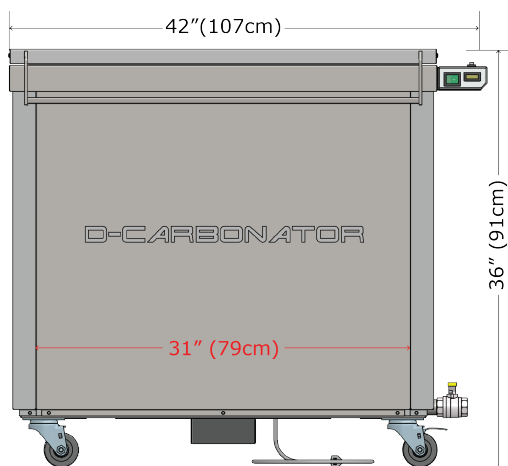
The DECARBONATOR® is a high-performance appliance designed for commercial kitchens and bakeries to efficiently remove carbon buildup and grease from metal and aluminum kitchen equipment. Constructed from stainless steel, it is fully insulated and provides the most cost-effective and efficient method for deep cleaning kitchen equipment and accessories. It is a stand alone unit that requires no plumbing.

### Technical Specifications

Specification	Details
Voltage	110V
Amps	12A
Frequency	60Hz
Phase	Single
Plug Type	NEMA 5-15
Receptacle	NEMA 5-15 / NEMA 5-20
Breaker	20 Amp
Wattage	1500W
Operating Temp	185°F (85°C)

### Capacity & Dimensions

Measurement	Details
Volume	85 Gallons / 320 Liters
Sheet Pan Capacity	52 stacked horizontally
Hood Filter Capacity	20 Standard (20" x 20" x 1½")
External Dimensions	L-42" x W-27" x H-36" (107cm x 69cm x 91cm)
Internal Dimensions	L-31" x W-20" x H-28" (79cm x 51cm x 71cm)
Packaging	L-46" x W-28" x H-42" (117cm x 71cm x 107cm)
Gross Weight	261 lbs (118kg)
Net Weight	229 lbs (104kg)



### CarbonZyme®

CarbonZyme 15lbs	Two boxes per month
------------------	---------------------

### Accessories Included

Accessory	Description
Lifting Basket	Facilitates loading and unloading
Drain Hose and adaptor	Used for draining tank
Grab Hook	Used to lift items and dislodge debris blocking drain valve

### Special Features

Features	Description
H85 Manual hoist	Optional add on hoist
Split Basket	Divides basket load in half

### Key Features

Feature	Description
Friction Hinges	Allows steam to escape, prevents crush injuries
Fill Line (Embossed)	Easy water level identification
Lid with Gasket	Reduces odors, collects condensation, adds workspace
Lid Handle	Full-length for easy lifting, prevents wrist scalding
Velcro Strap Storage	Stores power cord and drain hose securely
Stainless Steel Casters	Two locking, two non-locking for mobility
Control Panel Indicators	Power, heater, monthly timer, reset switch
Troubleshooting Feature	Manual reset thermostat on back panel

### Benefits

Benefit	Description
Fast & Efficient Cleaning	Saves time and effort in deep cleaning kitchen equipment
Energy Efficient	Low power consumption with high performance
Durable Stainless Steel Build	Long-lasting and corrosion-resistant
Safety First	Designed to prevent injuries and operational hazards

### Certifications & Compliance

Certification	Details
SA44909 - Sanitation NSF/ANSI 169 Certified	Ensures food safety standards. Meets sanitation regulations
E495028 - Commercial Dishwasher Safety Listing	Certified safe for commercial kitchen use
FY160801691C - European Conformity Safety Listing	Certified safe for commercial kitchen use

### Contact Information

Company: ChemXworks

Address: 8952 AleSmith Ct, Ste D, San Diego, CA 92126



Phone: (858) 356-5460

Website: [www.decarbonator.com](http://www.decarbonator.com)